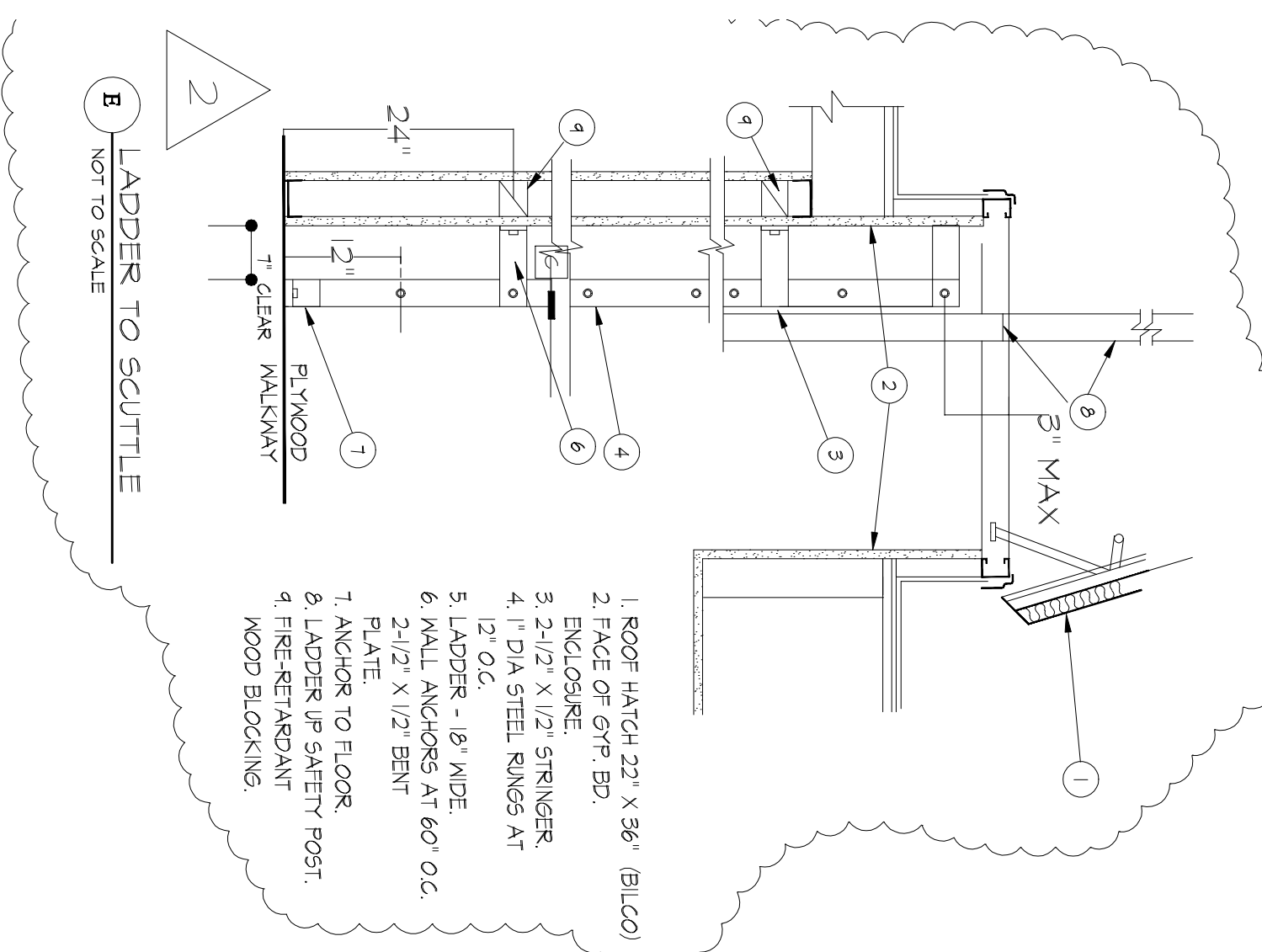
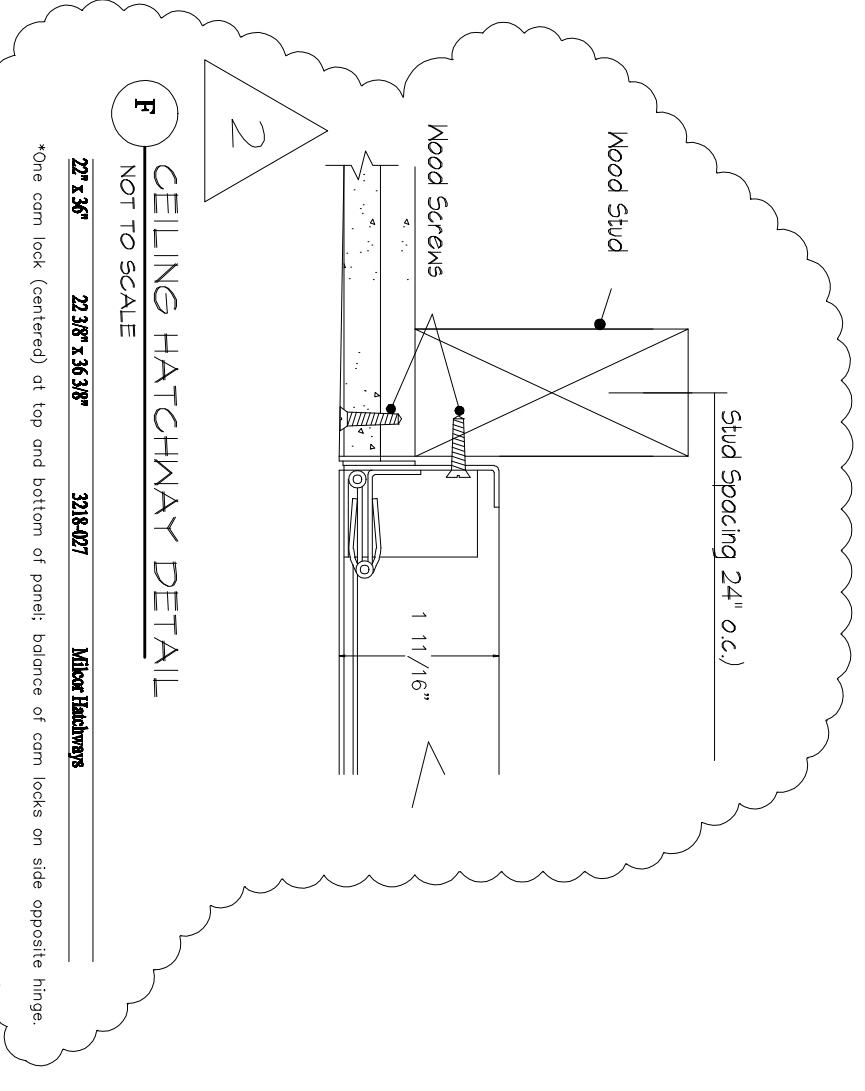


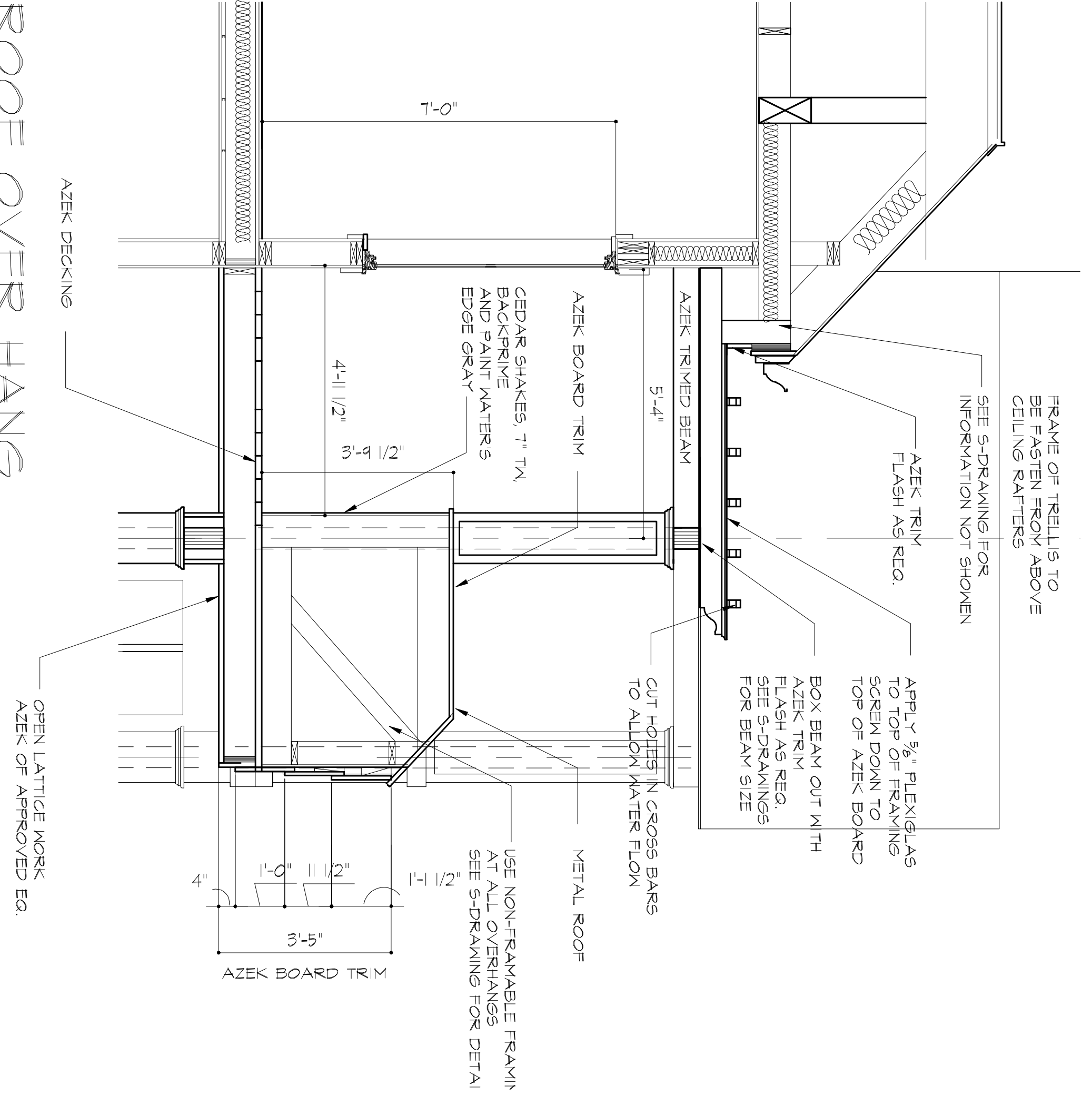
2 SECTION AT ROOF HATCH
SCALE 1/4" = 1'-0"



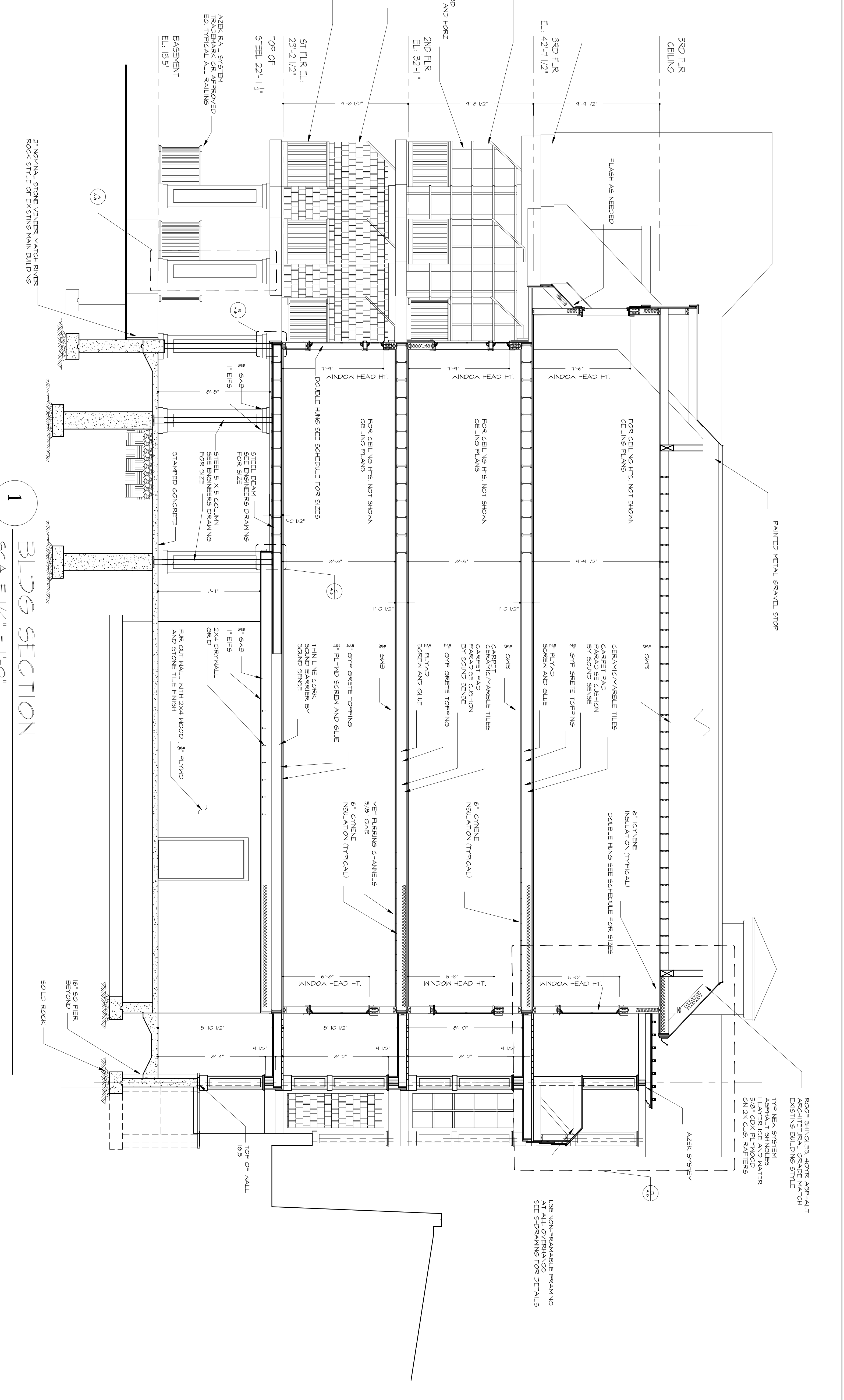
B LADDER TO SCUTTLE
NOT TO SCALE



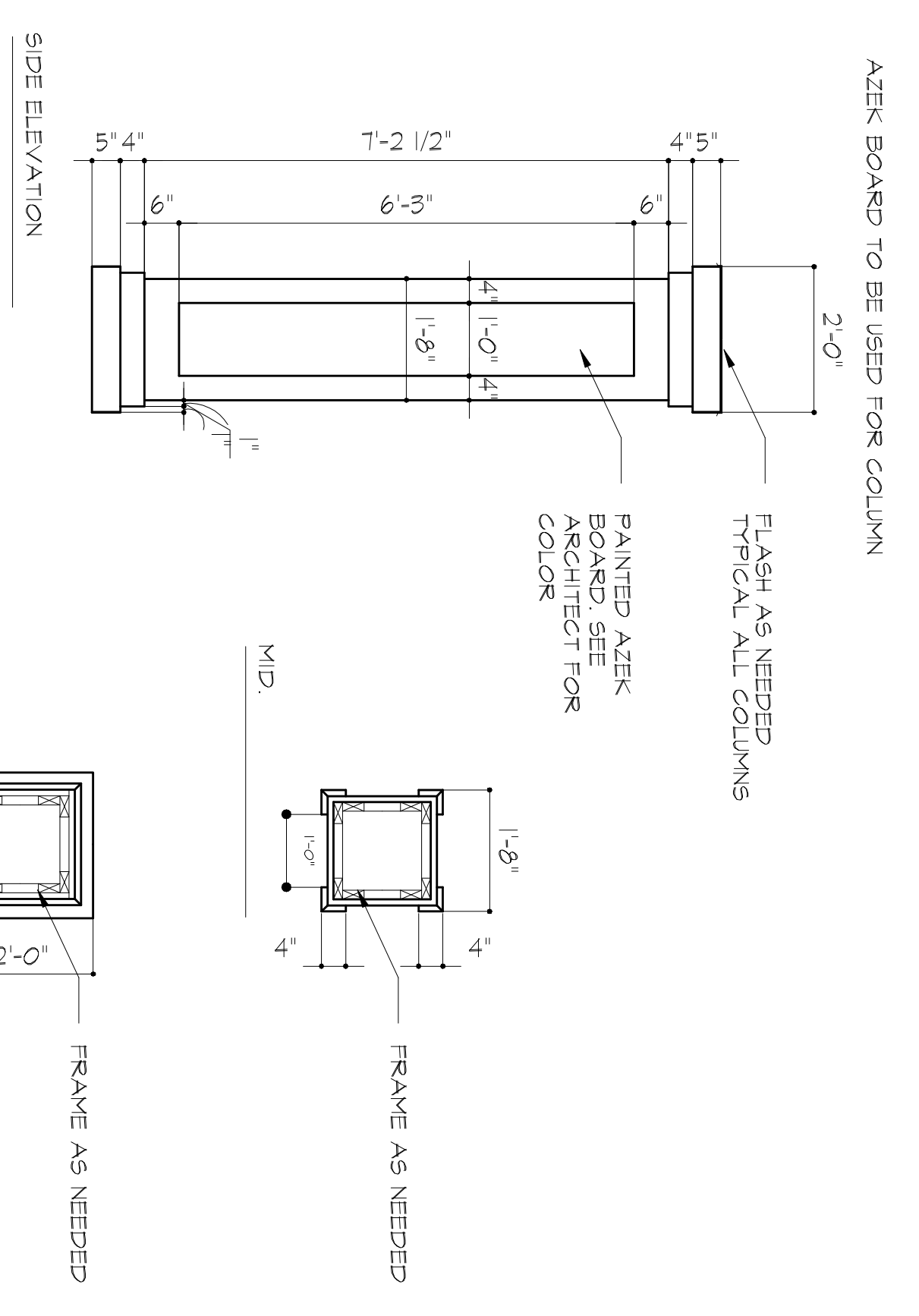
F CEILING HATCHWAY DETAIL
NOT TO SCALE



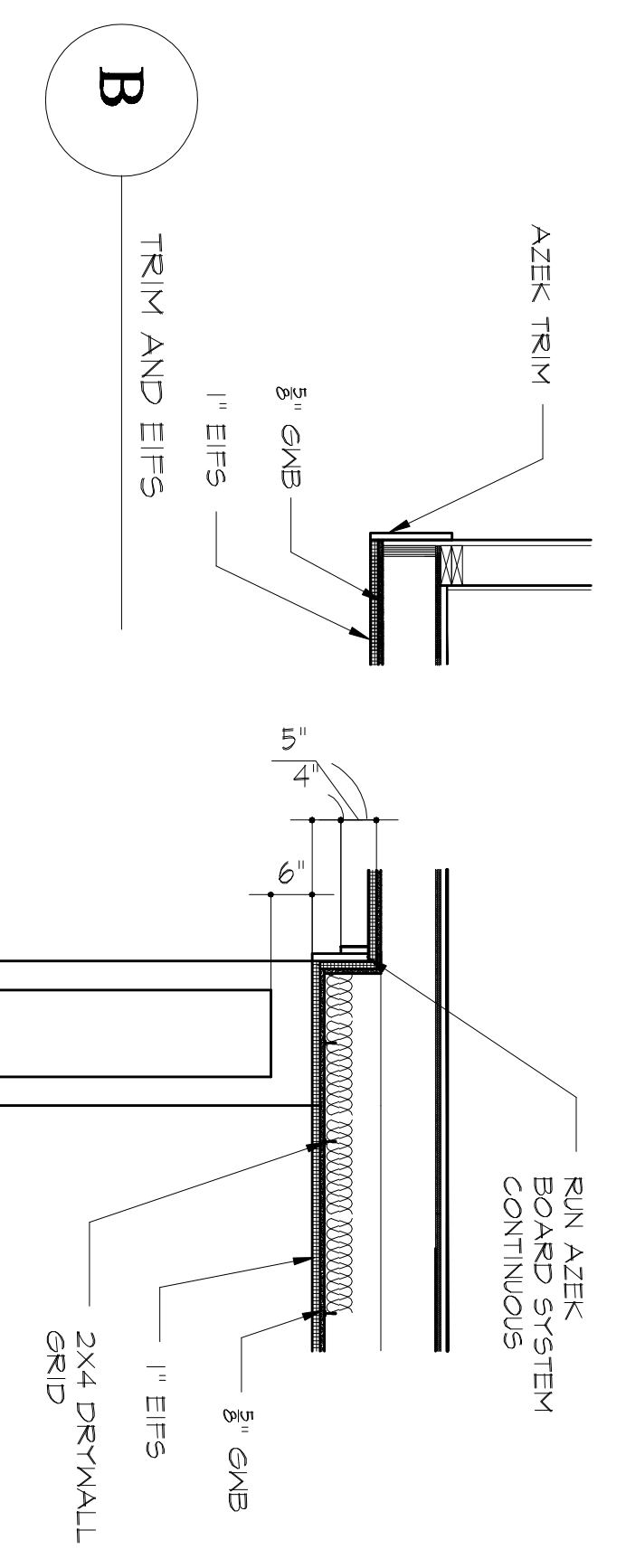
D ROOF OVER HANG
SCALE 1/2" = 1'-0"



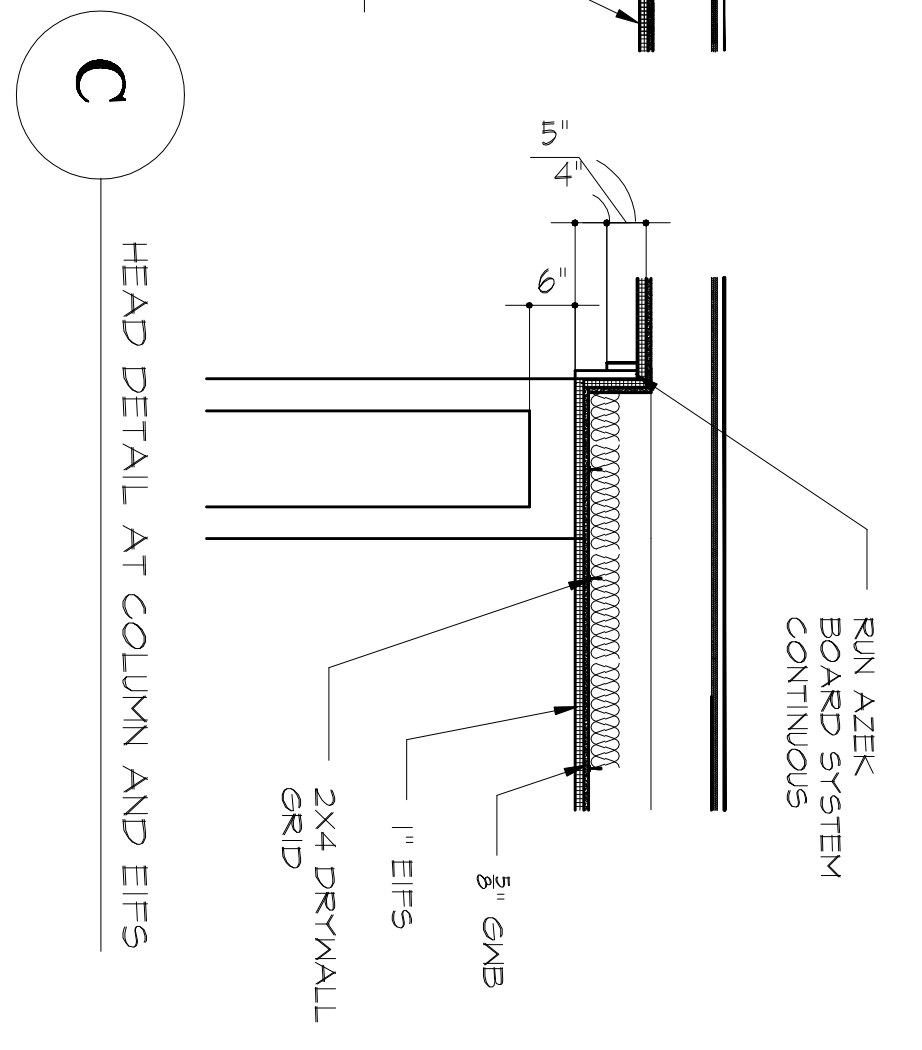
1 BDC SECTION
SCALE 1/4" = 1'-0"



A LARGE COLUMN DETAILS
SCALE 1/2" = 1'-0"



B TRIM AND EIFS



C HEAD DETAIL AT COLUMN AND EIFS

PROJECT
VILLAS ON THE SEA TIME SHARES
1525 BOSTON POST ROAD
WESTBROOK, CT

ARCHITECT
MARC A PETRIN
ARCHITECTS LLC
805 EAST JOHNSON AVE
CHESHIRE, CT
203 605 7804

DATE
12/21/20
17/2025

NO.
BLDG SECTIONS
A-8